

KLA-RAIN 19M

High Power LED moving wash light

The KLA-RAIN 19M is a high-output professional LED moving wash light engineered for large-scale stages, auditoriums, House of Worship, and touring applications. Featuring a powerful 19 × 40W RGBW LED module, it delivers high brightness, smooth color mixing, and flexible beam control with 10°–40° zoom capability. The fixture supports linear CTO adjustment from 2500K to 8000K, individual LED pixel control, and advanced optical effects, enabling everything from clean color washes to dynamic beam and pattern looks. Designed for reliability and precision, it offers fast, accurate pan/tilt movement, intelligent thermal management, and optical auto-calibration, making it ideal for demanding professional lighting environments.



Features

- **800W total power output** – High-performance 19 × 40W RGBW LEDs for bright, uniform output
- **Long LED lifespan** – Rated up to 20,000 hours for reliable long-term operation
- **10°–40° zoom range** – Smooth transition from tight beams to wide wash coverage
- **Linear CTO control (2500K–8000K)** – Precise, stepless color temperature adjustment for seamless blending with ambient and camera lighting
- **High-precision optical system** – Glass lens assembly with electronic linear focus adjustment
- **Advanced effect capabilities** – Supports color wash, beam, pattern, and dynamic effects including whirlpool and kaleidoscope looks
- **Rotating front lens wheel** – Bidirectional, stepless rotation for dynamic visual effects
- **Individual LED pixel control** – Enables complex pixel mapping, chases, and animated effects

Electrical

Input Voltage:	AC 100–240V 50/60Hz
Power Consumption:	800W

Light Source

Light Engine:	19 × 40W RGBW LEDs
Lifespan:	20,000 hours

Optics

Zoom angle:	10°–40°
Optical System	High-precision glass lens system

Control and Programming

Control Modes:	DMX 512, RDM, self-running, master/slave, sound-activated
DMX channels:	24, 26, 38, 81, 95, 100, 102
Setting and Addressing:	Control panel with backlit graphic display

Dynamic Effects

Color mixing:	RGBW additive color mixing
Color temperature control:	CTO, Variable 2500K–8000K
Dimming	0-100% linear dimming
Strobe:	1-25Hz
Effect Modes:	Color wash, beam, pattern, dynamic effects
Dynamic Effects:	Whirlpool, kaleidoscope
Front Lens Wheel:	Stepless bi-directional rotation
Pixel Control:	Individual LED pixel control

Movement

Zoom	Motorized
Pan	540°
Tilt	270°

Physical

Dimensions:	485 × 405 × 305 mm
Net Weight:	17 kg

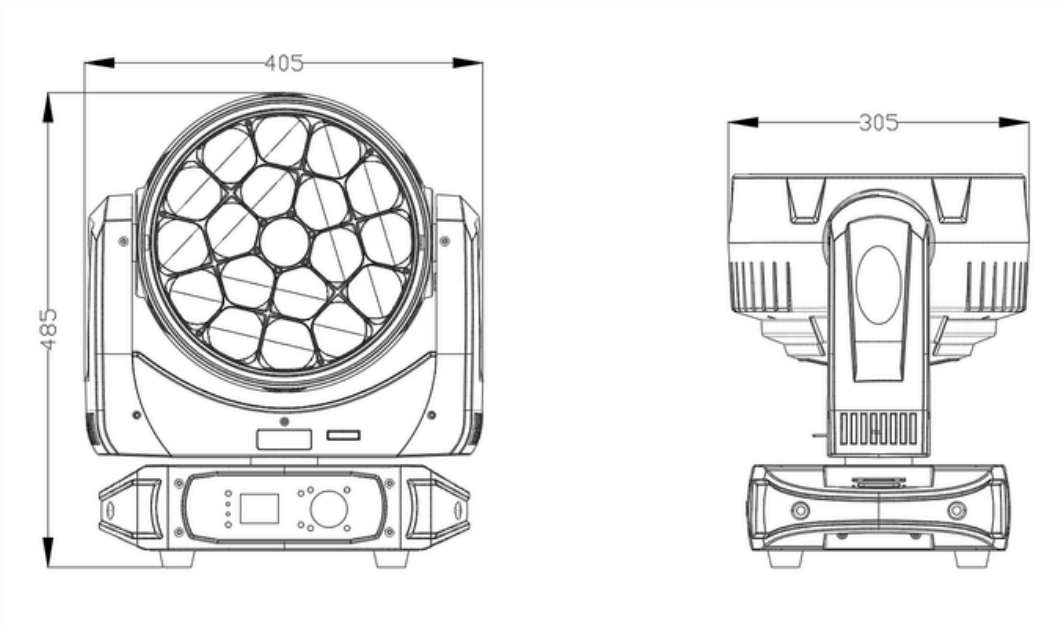
Connections

AC power input:	Neutrik PowerCon
DMX and RDM data in/out:	3 Pin XLR

Safety

Protection Rating:	IP20
Minimum ambient temperature	41° F (5° C)
Maximum ambient temperature	104° F (40° C)
Maximum surface temperature	176° F (80° C)

Dimensions



**Specifications subject to change without notice. 01/2026*