

## KLA-RAIN 450

### High-performance 2 in 1 Par PAR Light

KLA-RAIN 450 is a compact high-performance 2 in 1 Par PAR Light designed for stages, architectural lighting, auditoriums, and House of Worship applications. Equipped with 2×50W CW + 2×WW LEDs, it delivers high-output white illumination with smooth color temperature blending from 3200K to 5800K, making it suitable for both warm stage lighting and neutral broadcast environments. The fixture features independent electronic dimming, advanced strobe effects, and precise optical performance. Built for reliable operation in demanding environments, it incorporates intelligent thermal management, and durable weather-resistant construction.



### Features

- **High-output LED system** – 4×50W cool white and warm white LEDs delivering powerful white illumination
- **Adjustable color temperature** – Smooth from 3200K to 5800K for warm to neutral lighting environments
- **Wide beam coverage** – 55° beam angle for uniform wash distribution
- **Independent electronic dimming** – Smooth 0–100% linear dimming with precise control
- **Electronic strobe effects** – 1–25Hz strobe with random, pulse, synchronous, and asynchronous modes

### Electrical

Input Voltage:	AC 100–240V 50/60Hz
Power Consumption:	250W

### Light Source

Light Source:	2× 50W CW, 2x50W WW
Lifespan:	10,000 hours
Beam angle:	55°

### Control and Programming

Control Modes:	DMX 512, RDM, self-running, master/slave, sound-activated
DMX channels:	5, 11
Setting and Addressing:	Control panel with display

### Dynamic Effects

Color mixing:	3200K to 5800K linear temperature adjustment
Dimming:	32-Bit 0-100% linear dimming
Strobe:	1-25Hz
Effect Modes:	Wash
Pixel Control:	Individual LED point control

### Physical

Dimensions:	320 × 105 × 240 mm
Net Weight:	5.4 kg

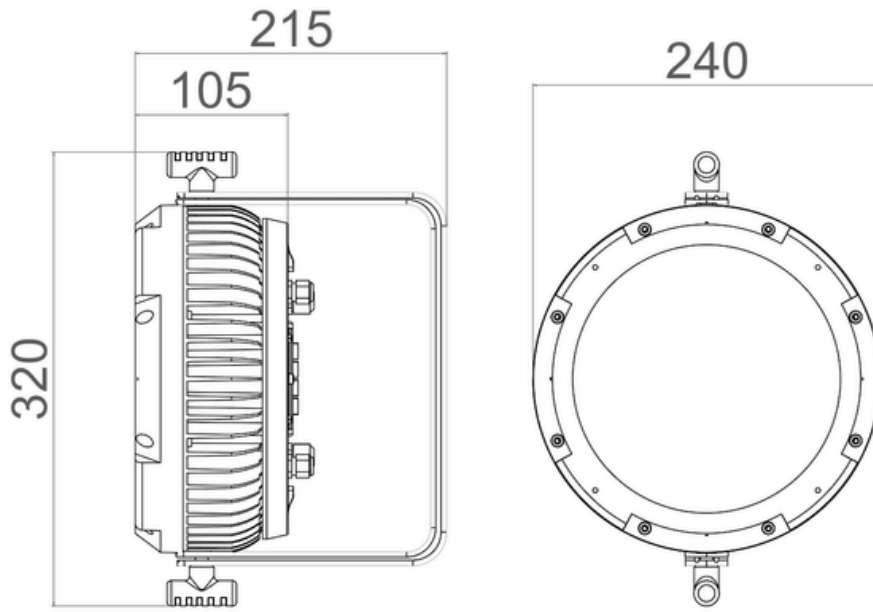
### Connections

AC power input:	Neutrik PowerCon
DMX and RDM data in/out:	3 Pin XLR

### Safety

Protection Rating:	IP20
Minimum ambient temperature	41° F (5° C)
Maximum ambient temperature	104° F (40° C)
Maximum surface temperature	176° F (80° C)

Dimensions



*\*Specifications subject to change without notice. 01/2026*